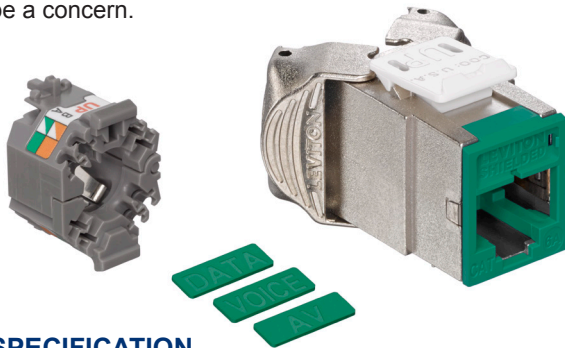


# Atlas-X1™ Cat 6A Component-Rated Shielded QuickPort® Jack

## APPLICATION

The Atlas-X1 Cat 6A Component-Rated Shielded QuickPort Jack supports 10GBASE-T networks. The shielded jack provides superior alien crosstalk (AXT) suppression and protects critical data from potential EMI/RFI (electromagnetic interference/radio frequency interference). The jack is part of a complete Atlas-X1 Cat 6A shielded system ideal for government, healthcare, manufacturing, transportation, gaming, and other environments where EMI/RFI and/or security may be a concern.



## SPECIFICATION

The shielded jack shall meet or exceed all requirements for Category 6A as described in ANSI/TIA-568.2-D, as well as Class E<sub>A</sub> requirements as described in ISO/IEC 11801-1. The jack shall comply with all National Electrical Codes, be compliant with ANSI/TIA-1096-A, be UL listed, and be independently verified. The jack shall be encased in a die-cast housing to protect from potential EMI/RFI. The jack shall support tool-free termination/re-termination and shall not require a specialized termination tool. The jack wiring shall be universal to accommodate T568A and T568B wiring schemes. The jack shall be available in 13 colors; more than established by the ANSI/TIA-606 standard. The jack shall be available with interchangeable icons, and be offered in shuttered and standard styles. It shall support Power over Ethernet up to 100 watts.

## DESIGN CONSIDERATIONS

- Fits most QuickPort applications in patch panels, faceplates, and surface-mount boxes
- Can be used to terminate all types of shielded cable
- To identify ports, use different colored modules and icons (13 ANSI/TIA-606-C compatible colors)
- Robust housing and internal shutter protects the jack in harsh environments

## FEATURES

- Independently tested and guaranteed to exceed all component, permanent link, and channel margins
- Patented Retention Force Technology™ (RFT) protects against time damage and increases system longevity
- For Power over Ethernet, RFT maintains contact force between plug and jack, preventing arcing from intermittent disconnects
- Shielding provides EMI/RFI protection, signal isolation, and excellent alien crosstalk (AXT) suppression
- Unique design supports tool-free termination/re-termination and requires no specialized termination tool
- Short jack design supports a wider range of applications (e.g. shallow boxes, enclosures, bend radius, etc.)
- Terminates from 26 to 22-gauge solid or stranded conductors for use on various cable types
- Robust IDCs can withstand 20 re-termination cycles and jack contacts are tested for 750 plug-mating cycles to ensure system longevity
- Available in 13 ANSI/TIA-606-C compatible colors
- Jack available with interchangeable icons (voice, data, A/V, and blank, color coded to match the jack face) for easy identification and tracking of data, voice, or other functions
- Jack with internal shutter protects against dust and debris
- Solid metal body dissipates 53% more heat than traditional plastic, minimizing damage from excess heat in PoE applications
- Tine geometry prevents arcing damage where plug and jack make contact

## STANDARDS COMPLIANCE

- ANSI/TIA-568.2-D (Cat 6A)
- ISO/IEC 11801-1 (Class E<sub>A</sub>)
- cULus Listed
- RoHS 2
- UL 2043 Plenum Certified
- IEC 60603-7 (includes IEC 60512-5-2)
- IEC 60512-99-001 (includes IEC 60512-9-3)
- ANSI/TIA-1096-A (formerly FCC Part 68)
- PoE standards: IEEE 802.3af, 802.3at, 802.3bt, Cisco UPoE, and Power over HDBaseT™ (PoH) up to 100 watts

## PHYSICAL SPECIFICATIONS

Dimensions: See page two  
 Materials: **Jack Body:** Die-cast zinc  
**Spring-Wire Contacts:** High-quality, copper-based alloy, plated with 50 micro-inches of gold for lowest contact resistance and maximum life  
 Environmental Conditions: **Storage Temperature:** -40 °C to +70 °C  
**Operating Temperature:** -10 °C to +60 °C

6ASJK-xx6, ICONS-ICx

<b>Leviton Network Solutions</b> 2222 - 222nd St. SE Bothell, WA 98021-4416  tel 1-800-824-3005 tel +1-425-486-2222 appeng@leviton.com www.leviton.com	<b>Asia / Pacific</b> T +1.631.812.6228 E infoasean@leviton.com	<b>Canada</b> T +1.514.954.1840 E pcservice@leviton.com	<b>Caribbean</b> T +1.954.593.1896 E infocaribbean@leviton.com	<b>China</b> T +852.2774.9876 E infochina@leviton.com	<b>Colombia</b> T +57.1.743.6045 E infocolombia@leviton.com
	<b>Europe</b> T +44.0.1592.772124 E customerserviceeu@leviton.com	<b>Mexico</b> T +52.55.5082.1040 E Isamarketing@leviton.com	<b>Middle East &amp; Africa</b> T +971.4.247.9800 E lmeinfo@leviton.com	<b>South Korea</b> T +82.2.3273.9963 E infokorea@leviton.com	

**COUNTRY OF ORIGIN**

USA

**WARRANTY INFORMATION**

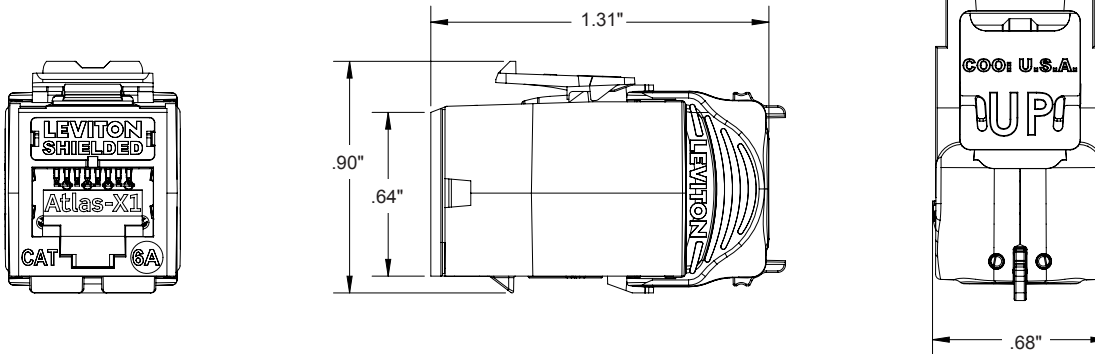
Limited Product and Limited Extended Warranties are rendered VOID if the installed structured cabling system is used for PoE applications that exceed the product's specified power rating.

For a copy of Leviton product warranties, visit [www.leviton.com/warranty](http://www.leviton.com/warranty).

**ELECTRONIC FILES**

For CAD files, typical specs, or technical drawings (.DXF, .DWG), visit [www.leviton.com](http://www.leviton.com).

**6ASJK-xx6, ICONS-ICx**



**PART NUMBERS**

Description	Standard Jack	Jack w/ Internal Shutters	GreenPack® 12-Pack Standard Jack
Atlas-X1™ Cat 6A Component-Rated Shielded QuickPort® Jack, white	6ASJK-RW6	6ASJK-SW6	6ASJK-CW6
Atlas-X1 Cat 6A Component-Rated Shielded QuickPort Jack, light almond	6ASJK-RT6	6ASJK-ST6	—
Atlas-X1 Cat 6A Component-Rated Shielded QuickPort Jack, ivory	6ASJK-RI6	6ASJK-SI6	—
Atlas-X1 Cat 6A Component-Rated Shielded QuickPort Jack, yellow	6ASJK-RY6	6ASJK-SY6	—
Atlas-X1 Cat 6A Component-Rated Shielded QuickPort Jack, orange	6ASJK-RO6	6ASJK-SO6	—
Atlas-X1 Cat 6A Component-Rated Shielded QuickPort Jack, crimson	6ASJK-RC6	6ASJK-SC6	—
Atlas-X1 Cat 6A Component-Rated Shielded QuickPort Jack, dark red	6ASJK-RR6	6ASJK-SR6	—
Atlas-X1 Cat 6A Component-Rated Shielded QuickPort Jack, purple	6ASJK-RP6	6ASJK-SP6	—
Atlas-X1 Cat 6A Component-Rated Shielded QuickPort Jack, blue	6ASJK-RL6	6ASJK-SL6	—
Atlas-X1 Cat 6A Component-Rated Shielded QuickPort Jack, green	6ASJK-RV6	6ASJK-SV6	—
Atlas-X1 Cat 6A Component-Rated Shielded QuickPort Jack, gray	6ASJK-RG6	6ASJK-SG6	6ASJK-CG6
Atlas-X1 Cat 6A Component-Rated Shielded QuickPort Jack, black	6ASJK-RE6	6ASJK-SE6	6ASJK-CE6
Atlas-X1 Cat 6A Component-Rated Shielded QuickPort Jack, brown	6ASJK-RB6	6ASJK-SB6	—

Color-matched icons (ICONS-ICx) can be ordered separately in 72-quantity packs.

Bulk wire managers (AXSJK-BGM) can be ordered separately in 10-quantity packs.

x = color



**Leviton Network Solutions**  
 2222 - 222nd St. SE  
 Bothell, WA 98021-4416

**Asia / Pacific**  
 T +1.631.812.6228  
 E infoasean@leviton.com

**Canada**  
 T +1.514.954.1840  
 E pcservice@leviton.com

**Caribbean**  
 T +1.954.593.1896  
 E infocaribbean@leviton.com

**China**  
 T +852.2774.9876  
 E infochina@leviton.com

**Colombia**  
 T +57.1.743.6045  
 E infocolombia@leviton.com

tel 1-800-824-3005  
 tel +1-425-486-2222  
 appeng@leviton.com  
[www.leviton.com](http://www.leviton.com)

**Europe**  
 T +44.0.1592.772124  
 E customerserviceeu@leviton.com

**Mexico**  
 T +52.55.5082.1040  
 E Isamarketing@leviton.com

**Middle East & Africa**  
 T +971.4.247.9800  
 E lmeinfo@leviton.com

**South Korea**  
 T +82.2.3273.9963  
 E infokorea@leviton.com